

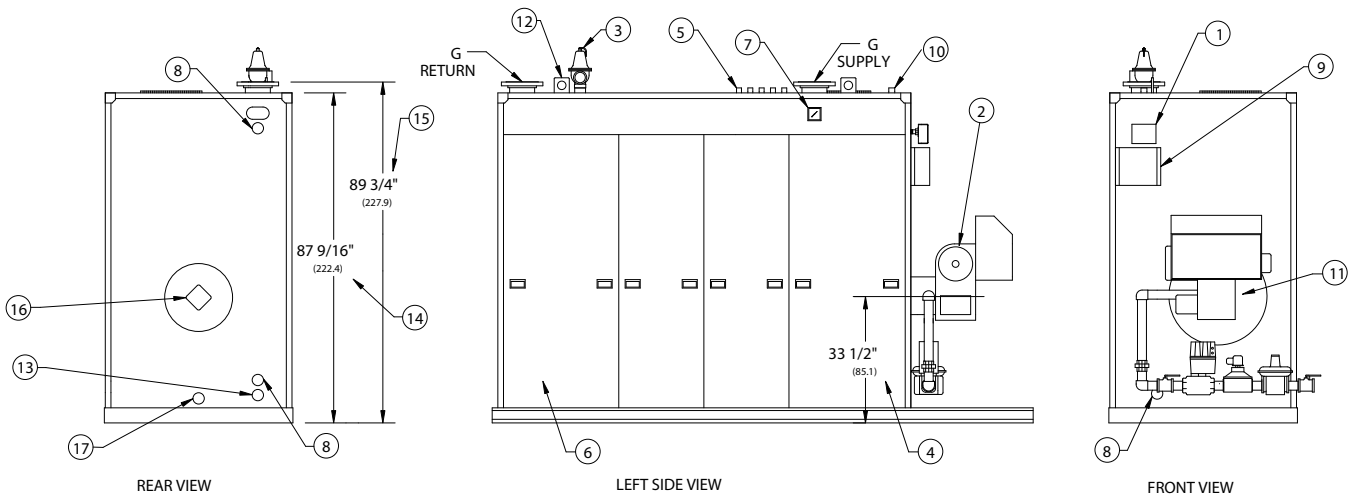
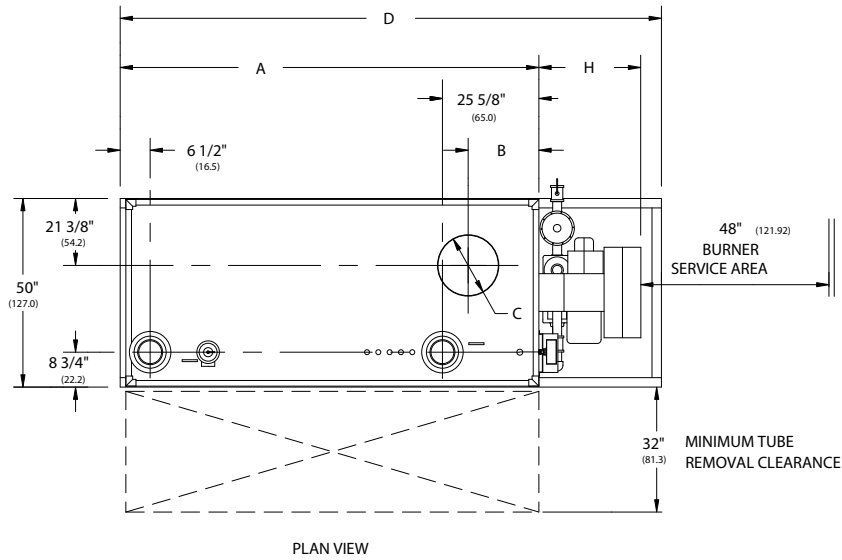
RV-KD SERIES FORCED DRAFT
WATER BOILERS (RV450-RV800)

EFFECTIVE DATE: 3/22/04

REPLACES: 8/11/03

NOTES:

1. ALL DIMENSIONS ARE IN INCHES. THOSE IN PARENTHESES ARE CENTIMETERS.
2. LOCATION DIMENSIONS ARE ALL $\pm 1/2"$.
3. GAS TRAIN, CONTROL AND BURNER CONFIGURATION WILL VARY DEPENDING ON JOB SPECIFICATIONS & CONDITIONS.
4. DIMENSIONS ARE SUBJECT TO CHANGE WITHOUT NOTICE. CONSULT FACTORY FOR CERTIFIED DIMENSIONS.
5. ALL FLANGES ARE 150# UNLESS OTHERWISE NOTED, FLANGES TO STRADDLE CENTER LINE.



1. PROBE TYPE L.W.C.O.-	6. JACKET ACCESS PANELS	11. OIL PUMP LOCATION	16. FLAME OBSERVATION PORT
2. FORCED DRAFT BURNER	7. PRESS./TEMP. GAUGE	12. LIFTING LUGS	17. COMB. CHAMBER DRAIN 1" NPT
3. RELIEF VALVE'S	8. CLNOUT./INSP. OPNG.-1 1/2"NPT	13. DRAIN CONNECTION 2" NPT	
4. BURNER CENTER LINE	9. ELEC. ENCLOSURE-	14. HEIGHT OVER JACKET	
5. CONTROL TAPPINGS 3/4" NPT	10. VENT CONNECTION 1" NPT	15. HEIGHT OVER SUPPLY	

BOILER MODEL	RV450	RV500	RV550	RV600	RV700	RV800
A-LENGTH OVER JACKET	141 3/4" (360.0)	151 3/8" (384.4)	164 1/4" (417.1)	173 7/8" (441.6)	196 3/8" (498.7)	218 7/8" (555.9)
B-FLUE LOCATION	18 3/4" (47.6)	18 3/4" (47.6)	18 3/4" (47.6)	18 3/4" (47.6)	20 3/4" (52.7)	20 3/4" (52.7)
C-FLUE DIAMETER	16" (40.6)	16" (40.6)	16" (40.6)	16" (40.6)	20" (50.8)	20" (50.8)
D-LENGTH OVER BASE	164 7/16" (417.6)	174 1/8" (442.2)	187" (474.9)	196 5/8" (499.4)	225 7/8" (573.7)	247 1/2" (628.7)
G-SUPPLY / RETURN NOZZLE SIZE	6" FLG (15.2)	6" FLG (15.2)	6" FLG (15.2)	6" FLG (15.2)	6" FLG (15.2)	6" FLG (15.2)
H-BURNER EXTENSION	CONSULT FACTORY FOR BURNER EXTENSION APPLICATIONS					



BRYAN BOILERS

783 NORTH CHILI AVE
PERU, INDIANA 46970

ORDER NO.:	
ORDER REV. NO.:	
FORM NO.:	2167

RV SERIES FORCED DRAFT KNOCKDOWN WATER BOILERS

BOILER MODEL		RV450	RV500	RV550	RV600	RV700	RV800
INPUT	MBH	4,500	5,000	5,500	6,000	7,000	8,000
	(KW)	1,318.5	1,465.0	1,611.5	1,758.0	2,051.0	2,344.0
OUTPUT*	MBH	3,780	4,200	4,620	5,040	5,880	6,720
	(KW)	1,107.5	1,230.6	1,353.6	1,476.7	1,722.8	1,968.9
BOILER HORSEPOWER*	HP	113	125	138	151	176	201
	(KW)	1,106.6	1,229.6	1,352.5	1,475.5	1,721.4	1,967.3
TUBE DIAMETER	INCHES	1.50	1.50	1.50	1.50	1.50	1.50
	(CM)	3.81	3.81	3.81	3.81	3.81	3.81
NUMBER OF TUBES		61	67	75	81	95	109
PRESSURE VESSEL							
VOLUME	GAL	181	200	216	236	278	309
	(L)	685.1	757.0	817.6	893.3	1,052.2	1,169.6
HEATING SURFACE	SQ FT	544	597	668	722	847	972
	(SQ M)	50.6	55.5	62.1	67.1	78.7	90.3
OPERATING WEIGHT	LBS	9,979	10,897	11,771	12,648	14,428	16,176
	(KG)	4,526.5	4,943.1	5,339.2	5,736.9	6,544.4	7,337.5
SHIPPING WEIGHT	LBS	8,470	9,230	9,970	10,680	12,110	13,600
	(KG)	3,842.0	4,186.7	4,522.4	4,844.4	5,493.1	6,169.0
RELIEF VALVE TYPICAL - 30 PSIG (206.8 KPA)							
QUANTITY		(2) 740	(2) 740	(2) 740	(2) 740	(2) 740	(2) 740
SIZE	INCHES	1½ x 2	2 x 2½	2 x 2½	2 x 2½	2 x 2½	2 x 2½
	(CM)	3.81 x 5.08	5.08 x 6.35	5.08 x 6.35	5.08 x 6.35	5.08 x 6.35	5.08 x 6.35
CAPACITY-TOTAL	MBH	5,800	10,500	10,500	10,500	10,500	10,500
	(KW)	1,699.4	3,076.5	3,076.5	3,076.5	3,076.5	3,076.5
RELIEF VALVE TYPICAL - 125 PSIG (861.8 KPA)							
QUANTITY		(1) 174A	(1) 174A	(2) 174A	(2) 174A	(2) 174A	(2) 174A
SIZE	INCHES	1½ x 1½	1½ x 1½	1¼ x 1¼	1¼ x 1¼	1¼ x 1¼	1¼ x 1¼
	(CM)	3.81 x 3.80	3.81 x 3.81	3.17 x 3.17	3.17 x 3.17	3.17 x 3.17	3.17 x 3.17
CAPACITY-TOTAL	MBH	6,460	6,460	10,740	10,740	10,740	10,740
	(KW)	1,892.8	1,892.8	3,146.8	3,146.8	3,146.8	3,146.8

* Output and Boiler HP based on an average natural gas combustion efficiency.